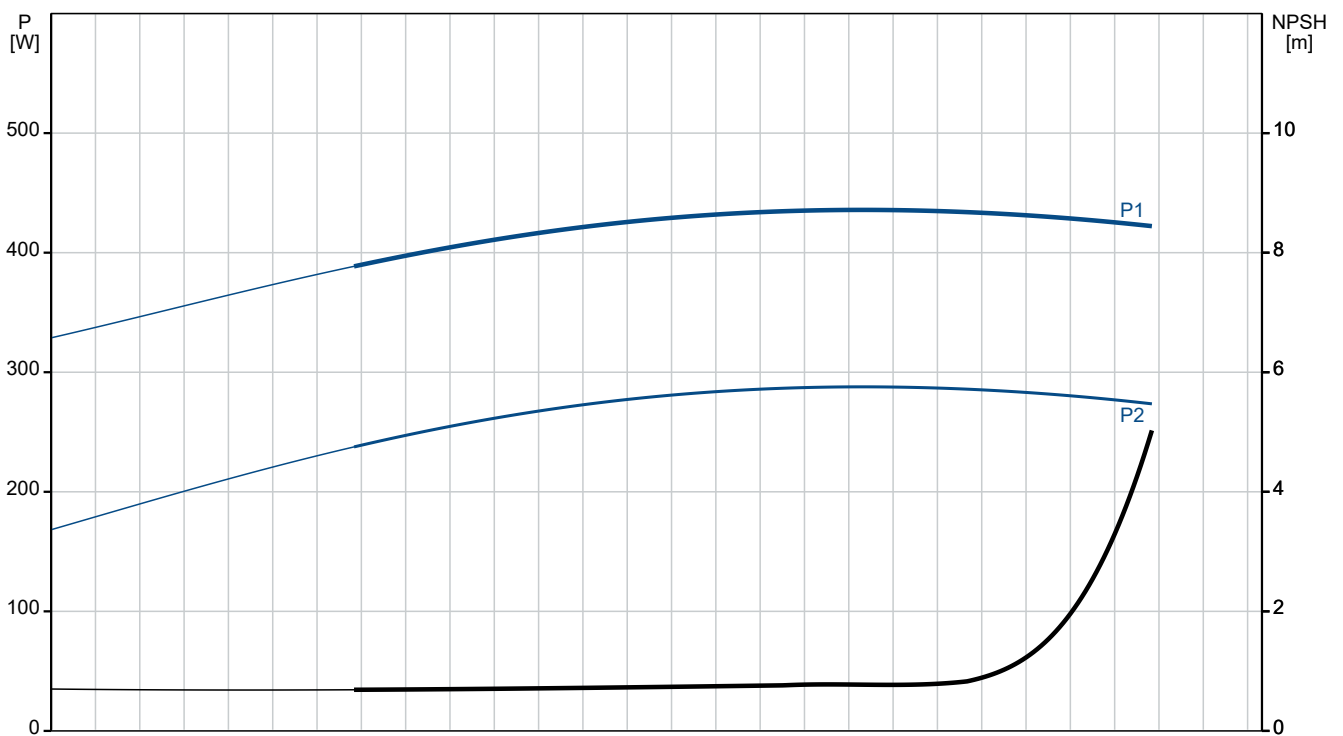
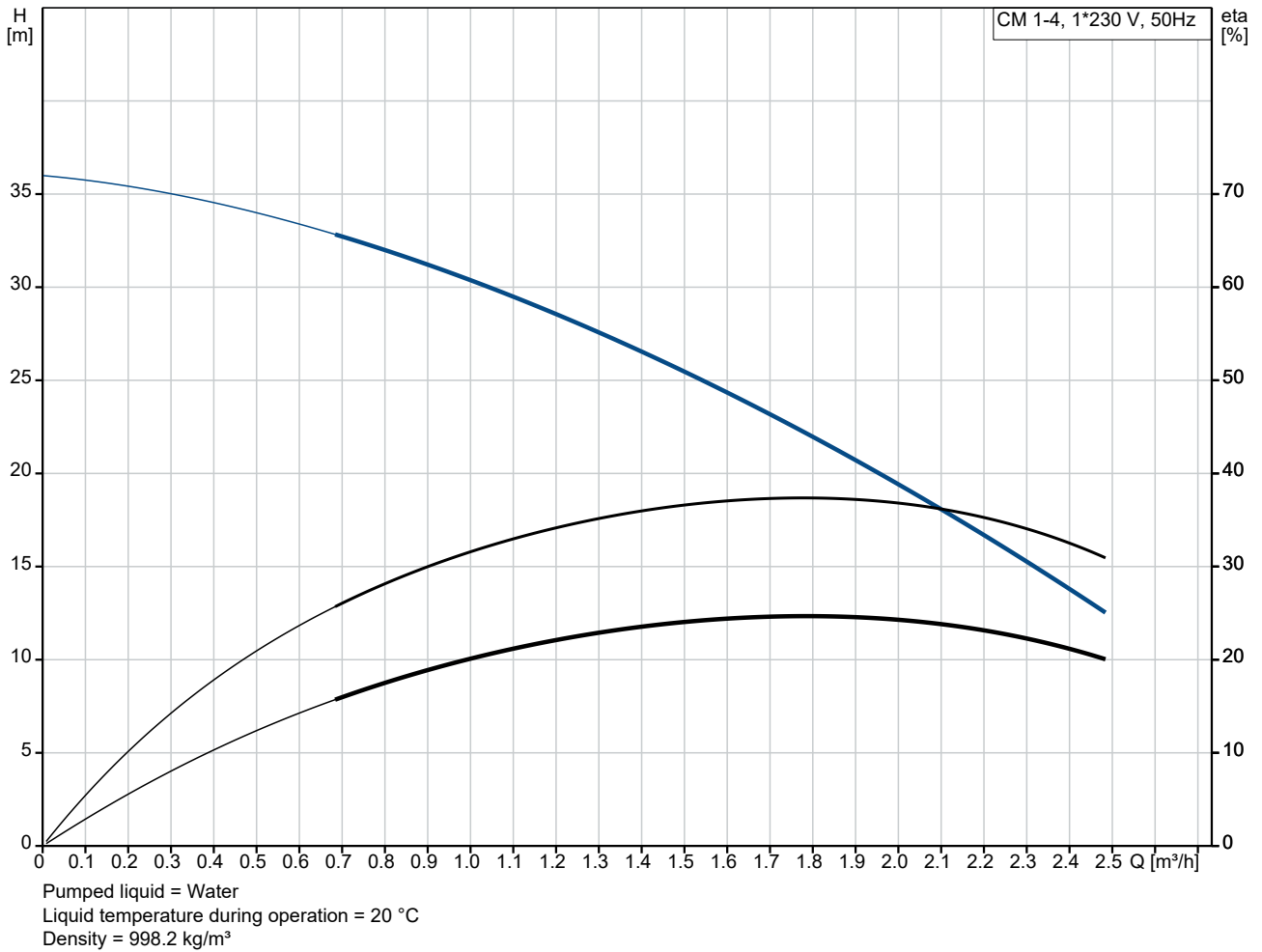
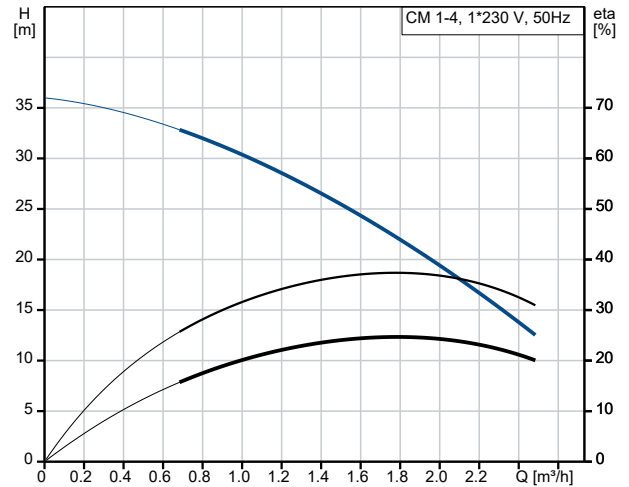


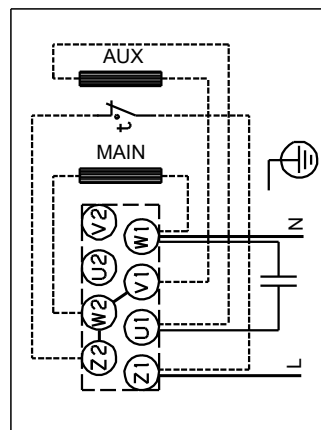
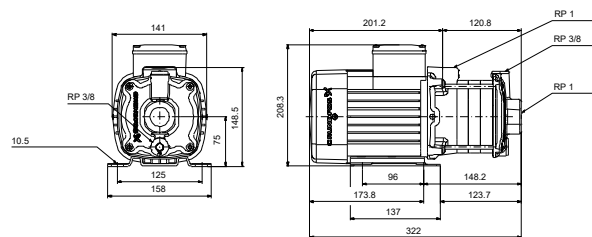
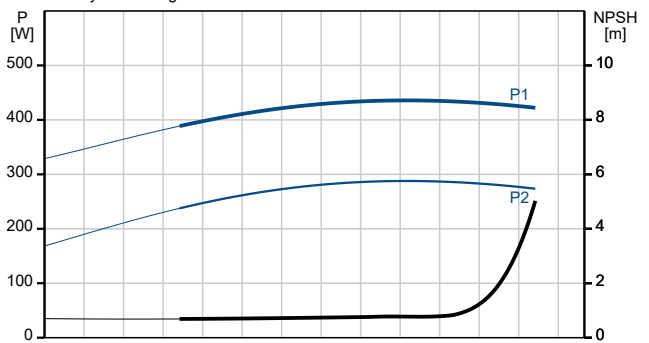
## 97516560 CM 1-4 A-R-A-E-AQQE C-A-A-N 50 Hz



| Description                              | Value                          |
|--|--------------------------------|
| <b>General information:</b>              |                                |
| Product name:                            | CM 1-4 A-R-A-E-AQQE<br>C-A-A-N |
| Product No:                              | 97516560                       |
| EAN number:                              | 5700317301672                  |
| <b>Technical:</b>                        |                                |
| Pump speed on which pump data are based: | 2900 rpm                       |
| Rated flow:                              | 1.7 m <sup>3</sup> /h          |
| Rated head:                              | 24.6 m                         |
| Impellers:                               | 4                              |
| Code for shaft seal:                     | AQQE                           |
| Approvals:                               | CE,EAC,UKCA                    |
| Approvals for drinking water:            | WRAS,ACS,NSF61                 |
| Curve tolerance:                         | ISO9906:2012 3B                |
| Pump version:                            | A                              |
| Model:                                   | A                              |
| <b>Materials:</b>                        |                                |
| Pump housing:                            | Cast iron                      |
| Pump housing:                            | EN-GJL-200                     |
| Pump housing:                            | ASTM A48-25A                   |
| Impeller:                                | Stainless steel                |
| Impeller:                                | EN 1.4301                      |
| Impeller:                                | AISI 304                       |
| Material code:                           | A                              |
| Code for rubber:                         | E                              |
| <b>Installation:</b>                     |                                |
| Range of ambient temperature:            | -20 .. 55 °C                   |
| Maximum operating pressure:              | 10 bar                         |
| Max pressure at stated temp:             | 10 bar / 90 °C                 |
| Max pressure at stated temp:             | 10 bar / 90 °C                 |
| Type of connection:                      | Rp                             |
| Size of inlet connection:                | 1 inch                         |
| Size of outlet connection:               | 1 inch                         |
| Outlet position:                         | 12                             |
| Connect code:                            | R                              |
| <b>Liquid:</b>                           |                                |
| Pumped liquid:                           | Water                          |
| Liquid temperature range:                | -20 .. 90 °C                   |
| Selected liquid temperature:             | 20 °C                          |
| Density:                                 | 998.2 kg/m <sup>3</sup>        |
| <b>Electrical data:</b>                  |                                |
| Motor standard:                          | IEC                            |
| Frame size:                              | 71B                            |
| Rated power - P2:                        | 0.5 kW                         |
| Mains frequency:                         | 50 Hz                          |
| Suitable for 50/60 Hz:                   | N                              |
| Rated voltage:                           | 1 x 220-240 V V                |
| Service factor:                          | 1.00                           |
| Rated current:                           | 3.1-2.8 A                      |
| Starting current:                        | 530 %                          |
| Rated speed:                             | 2730-2740 rpm                  |
| Enclosure class (IEC 34-5):              | IP55                           |
| Insulation class (IEC 85):               | F                              |
| Built-in motor protection:               | PTO                            |
| Cable included (Yes/No):                 | N                              |
| <b>Controls:</b>                         |                                |
| Frequency converter:                     | None                           |



Pumped liquid = Water  
Liquid temperature during operation = 20 °C  
Density = 998.2 kg/m<sup>3</sup>





Company name:

Created by:

Phone:

Date:

19/07/2024

| Description                      | Value   |
|----------------------------------|---------|
| <b>Others:</b>                   |         |
| Terminal box position:           | 12      |
| Minimum efficiency index, MEI ≥: | 0.7     |
| Net weight:                      | 12.3 kg |
| Gross weight:                    | 14.8 kg |