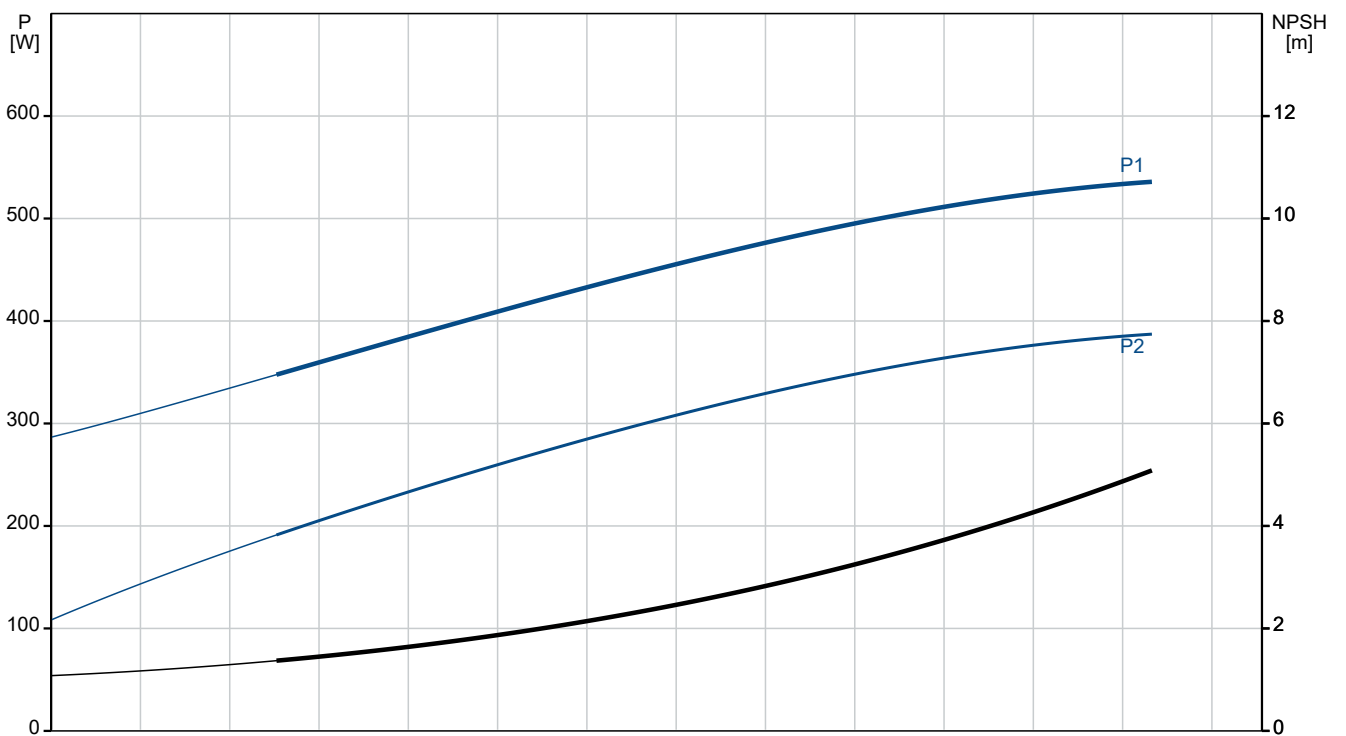
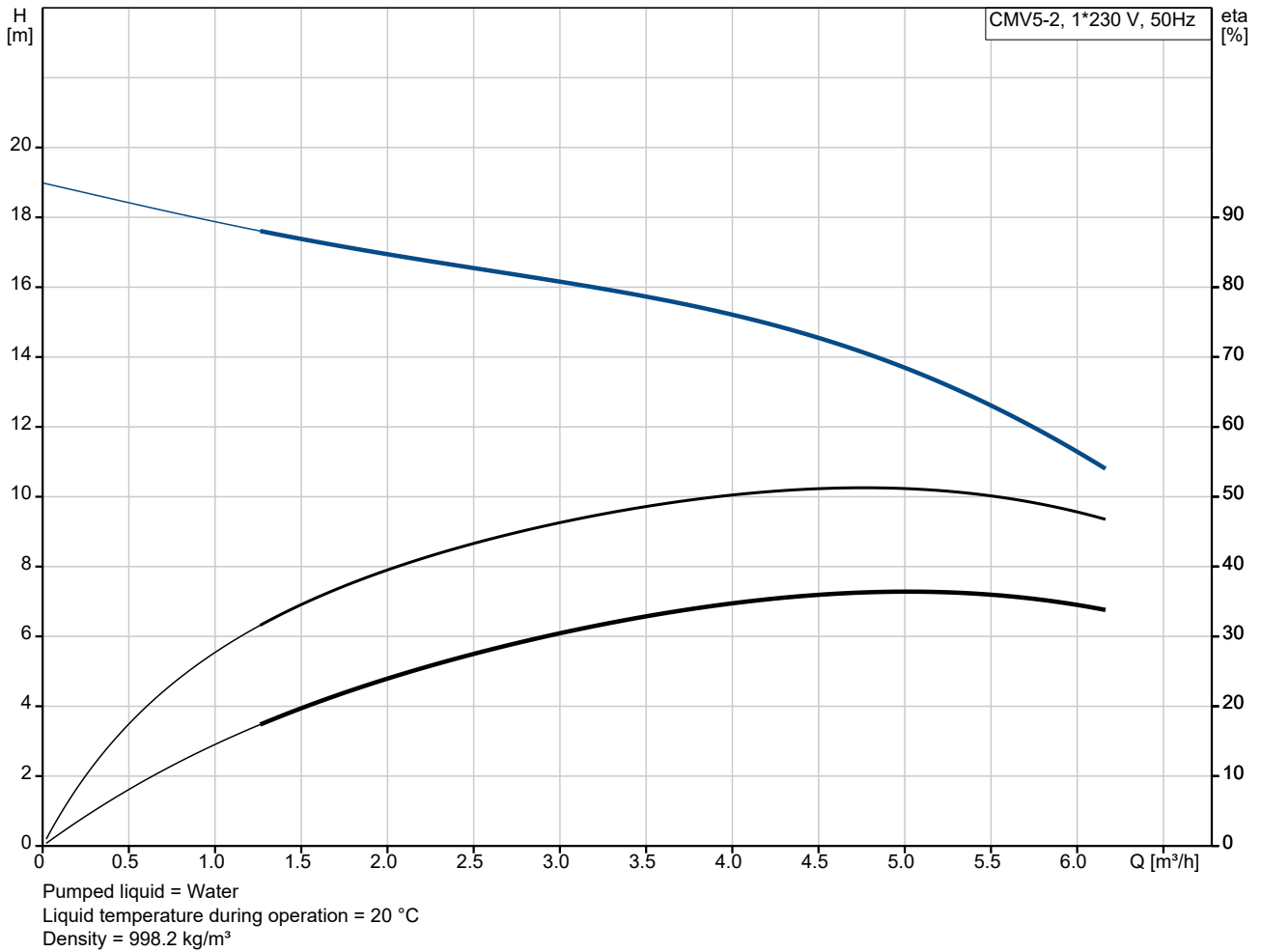
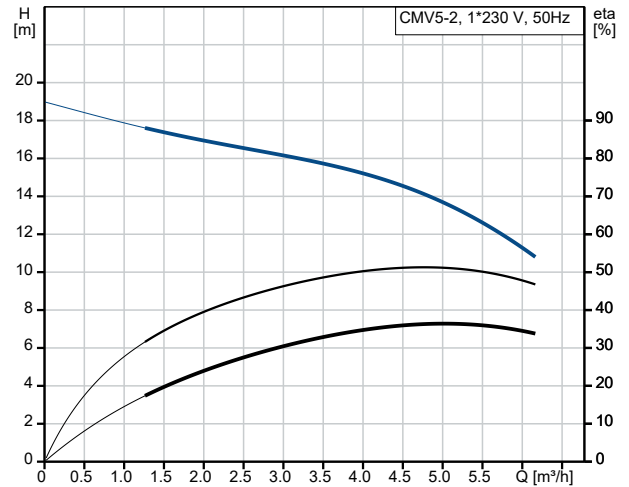


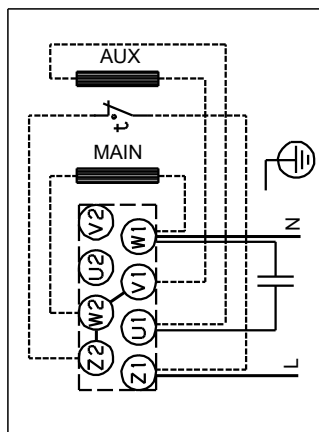
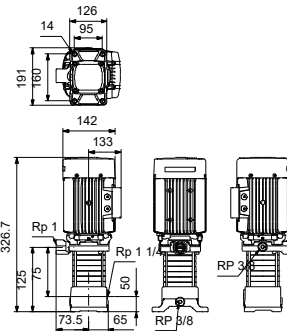
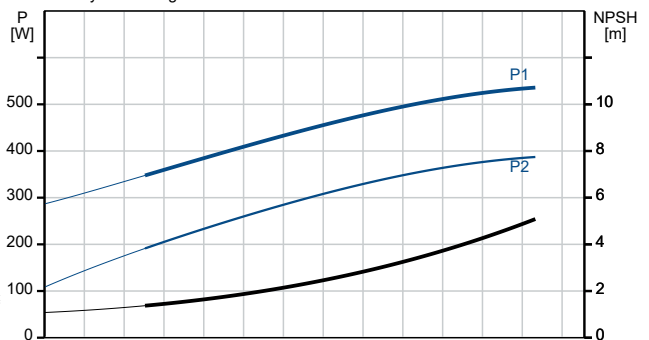
97908641 CMV5-2 A-R-A-E-AVBE 50 Hz



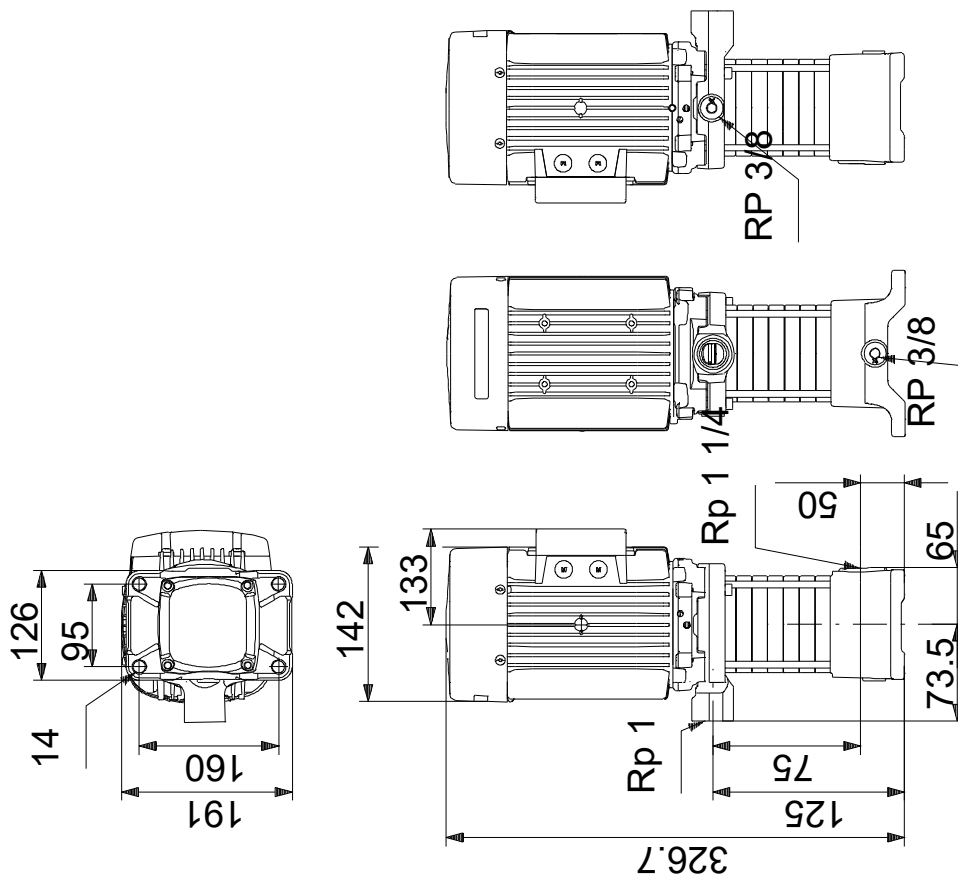
Description	Value
General information:	
Product name:	CMV5-2 A-R-A-E-AVBE
Product No:	97908641
EAN number:	5710626199495
Technical:	
Pump speed on which pump data are based:	2900 rpm
Rated flow:	4.7 m ³ /h
Rated head:	14.8 m
Impellers:	2
Primary shaft seal:	AVBE
Approvals:	CE,ACS,TR,EAC
Curve tolerance:	ISO9906:2012 3B
Pump version:	A
Model:	A
Materials:	
Pump housing:	Cast iron
Pump housing:	EN-JL1030
Pump housing:	ASTM 30 B
Impeller:	Stainless steel
Impeller:	DIN W.-Nr. 1.4301
Impeller:	AISI 304
Material code:	A
Rubber:	EPDM
Code for rubber:	E
Installation:	
Maximum ambient temperature:	55 °C
Maximum operating pressure:	10 bar
Max pressure at stated temp:	6 bar / 90 °C
Max pressure at stated temp:	10 bar / 40 °C
Flange standard:	WHITWORTH THREAD RP
Pump inlet:	RP 1 1/4
Pump outlet:	RP 1
Connect code:	R
Liquid:	
Pumped liquid:	Water
Liquid temperature range:	-20 .. 90 °C
Selected liquid temperature:	20 °C
Density:	998.2 kg/m ³
Electrical data:	
Rated power - P2:	0.5 kW
Mains frequency:	50 Hz
Rated voltage:	1 x 220-240 V
Service factor:	1
Rated current:	3.1-2.8 A
Rated speed:	2730-2740 rpm
Enclosure class (IEC 34-5):	IP55
Insulation class (IEC 85):	F
Built-in motor protection:	TP211
Others:	
Minimum efficiency index, MEI ≥:	0.7
Net weight:	12.9 kg
Gross weight:	15.4 kg



Pumped liquid = Water
Liquid temperature during operation = 20 °C
Density = 998.2 kg/m³



97908641 CMV5-2 A-R-A-E-AVBE 50 Hz



Note! All units are in [mm] unless others are stated.
Disclaimer: This simplified dimensional drawing does not show all details.