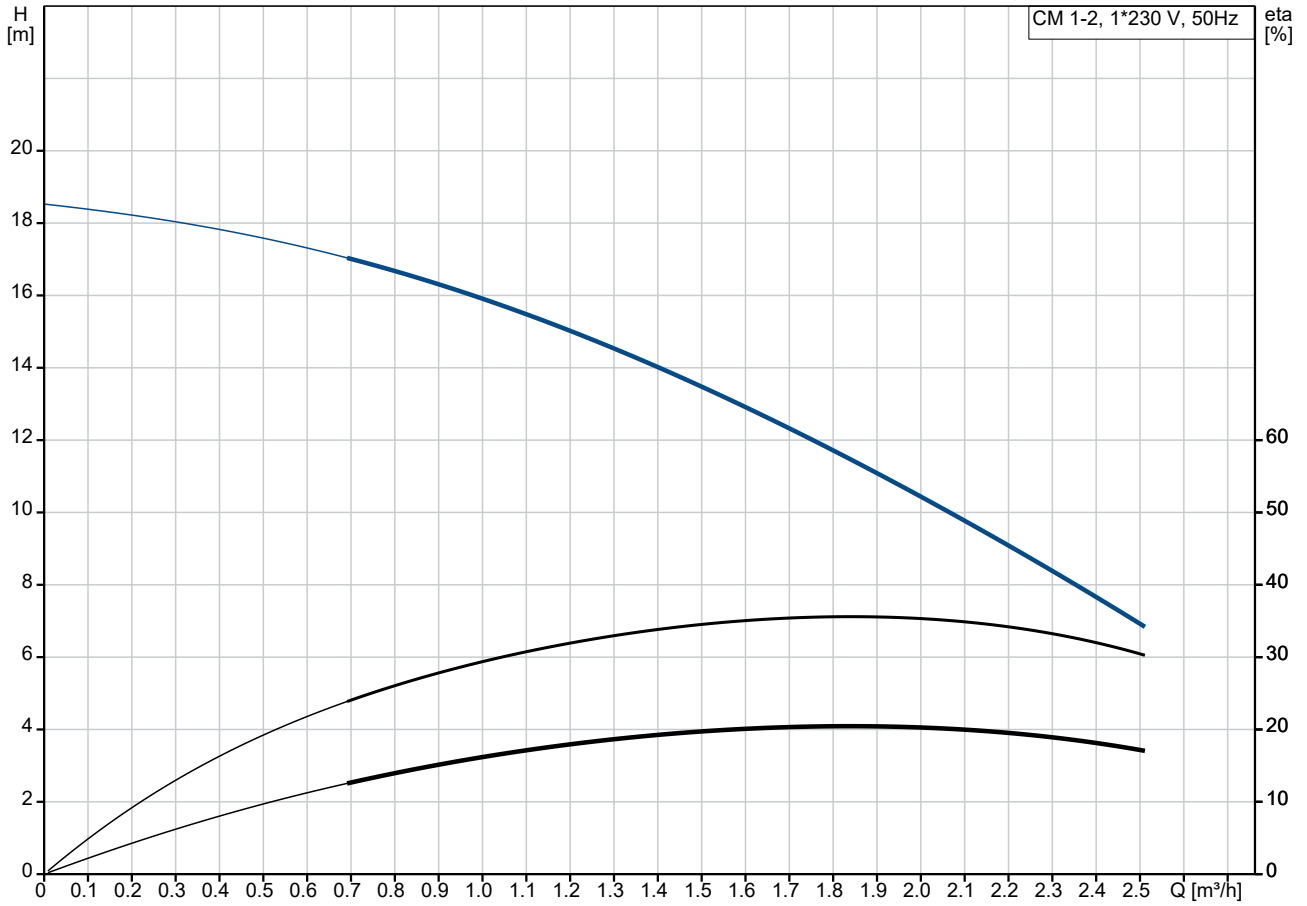
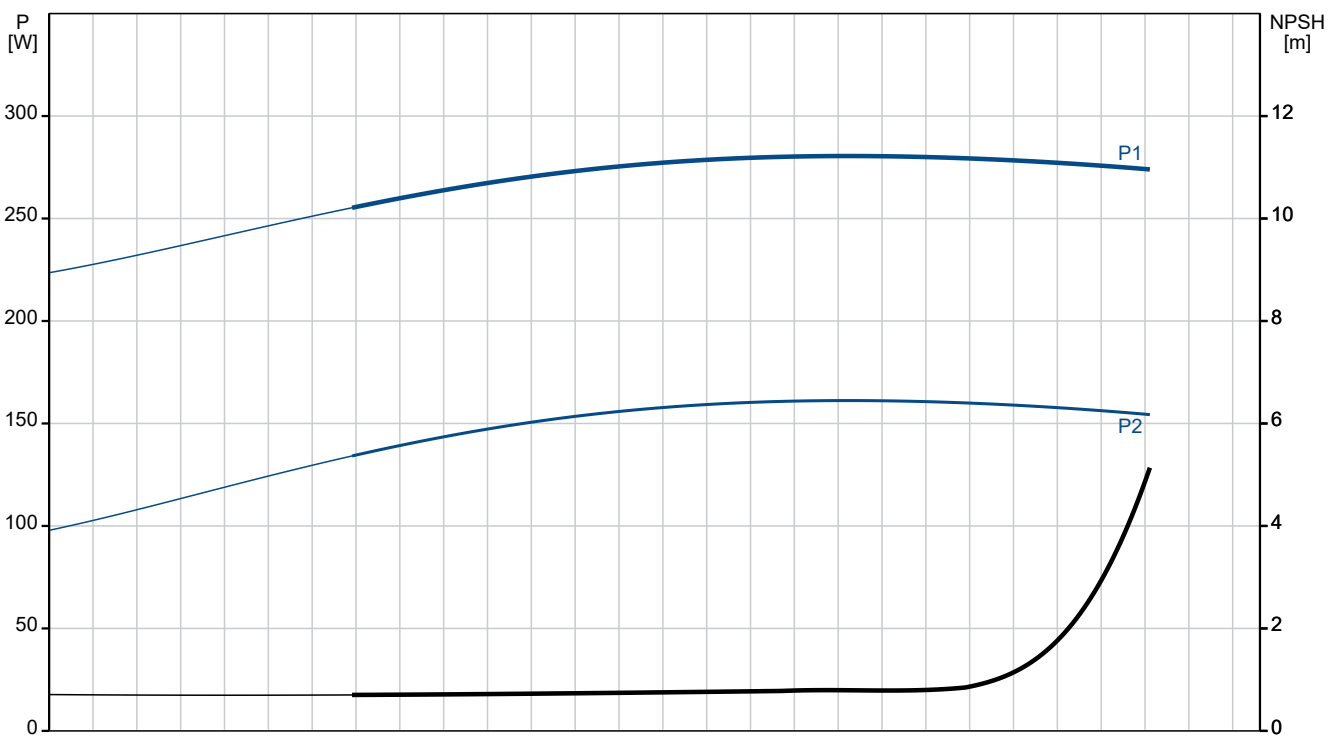


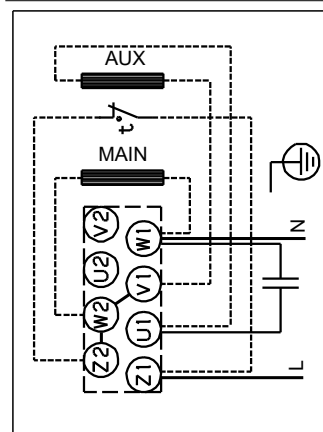
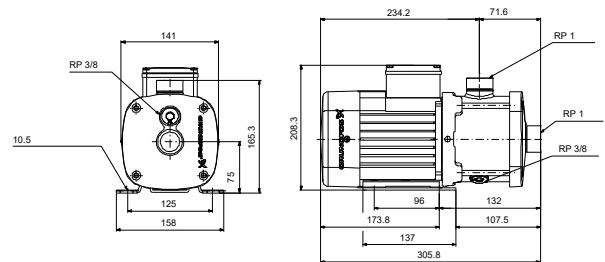
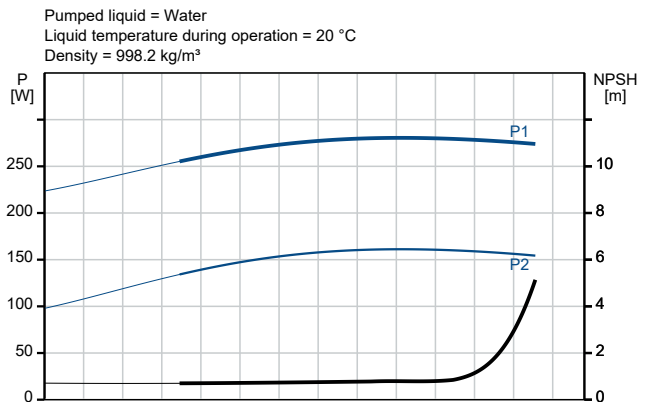
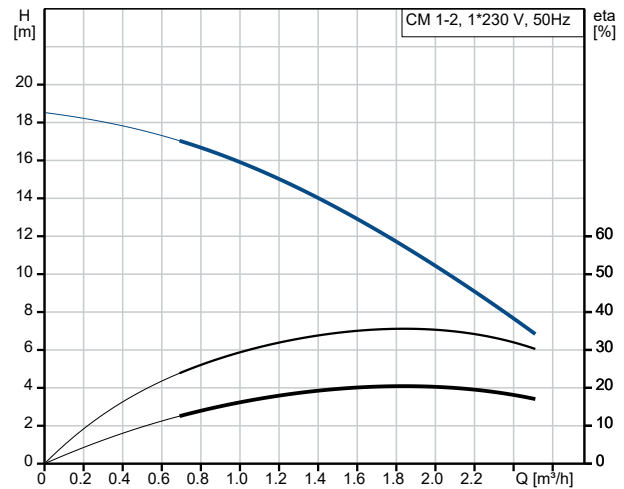
92889385 CM 1-2 A-R-G-E-AQQE C1-A-A-N 50 Hz



Pumped liquid = Water
 Liquid temperature during operation = 20 °C
 Density = 998.2 kg/m³



Description	Value
General information:	
Product name:	CM 1-2 A-R-G-E-AQQE C1-A-A-N
Product No:	92889385
EAN number:	5715121096157
Technical:	
Pump speed on which pump data are based:	2900 rpm
Rated flow:	1.7 m ³ /h
Rated head:	12.51 m
Impellers:	2
Code for shaft seal:	AQQE
Approvals:	CE,EAC,UKCA
Approvals for drinking water:	WRAS,ACS,NSF61,UBA
Curve tolerance:	ISO9906:2012 3B
Pump version:	A
Model:	A
Materials:	
Pump housing:	Stainless steel
Pump housing:	EN 1.4401
Pump housing:	AISI 316
Impeller:	Stainless steel
Impeller:	EN 1.4401
Impeller:	AISI 316
Material code:	G
Code for rubber:	E
Installation:	
Range of ambient temperature:	-20 .. 55 °C
Maximum operating pressure:	16 bar
Max pressure at stated temp:	16 bar / 90 °C
Max pressure at stated temp:	10 bar / 120 °C
Type of connection:	Rp
Size of inlet connection:	1 inch
Size of outlet connection:	1 inch
Outlet position:	12
Connect code:	R
Liquid:	
Pumped liquid:	Water
Liquid temperature range:	-20 .. 120 °C
Selected liquid temperature:	20 °C
Density:	998.2 kg/m ³
Electrical data:	
Motor standard:	IEC
Frame size:	71A
IE efficiency class:	IE2
Rated power - P2:	0.3 kW
Mains frequency:	50 Hz
Suitable for 50/60 Hz:	N
Rated voltage:	1 x 220-230 V V
Service factor:	1.00
Rated current:	2.10-2.05 A
Starting current:	390-430 %
Rated speed:	2800-2820 rpm
Enclosure class (IEC 34-5):	IP55
Insulation class (IEC 85):	F
Built-in motor protection:	PTO
Cable included (Yes/No):	N
Controls:	





Company name:

Created by:

Phone:

Date:

19/07/2024

Description	Value
Frequency converter:	None
Others:	
Terminal box position:	12
Minimum efficiency index, MEI ≥:	0.68
Net weight:	11.1 kg
Gross weight:	13.6 kg