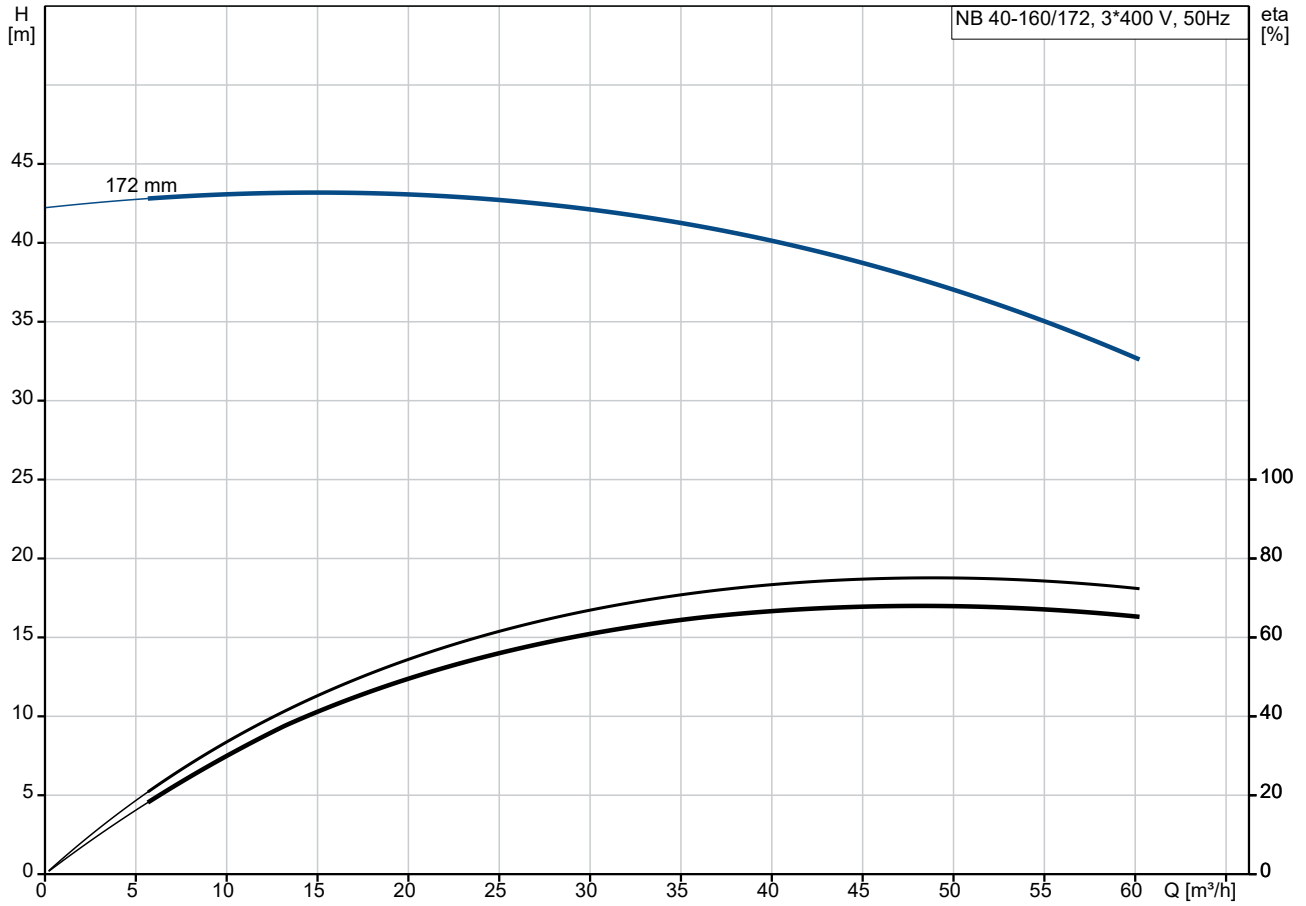
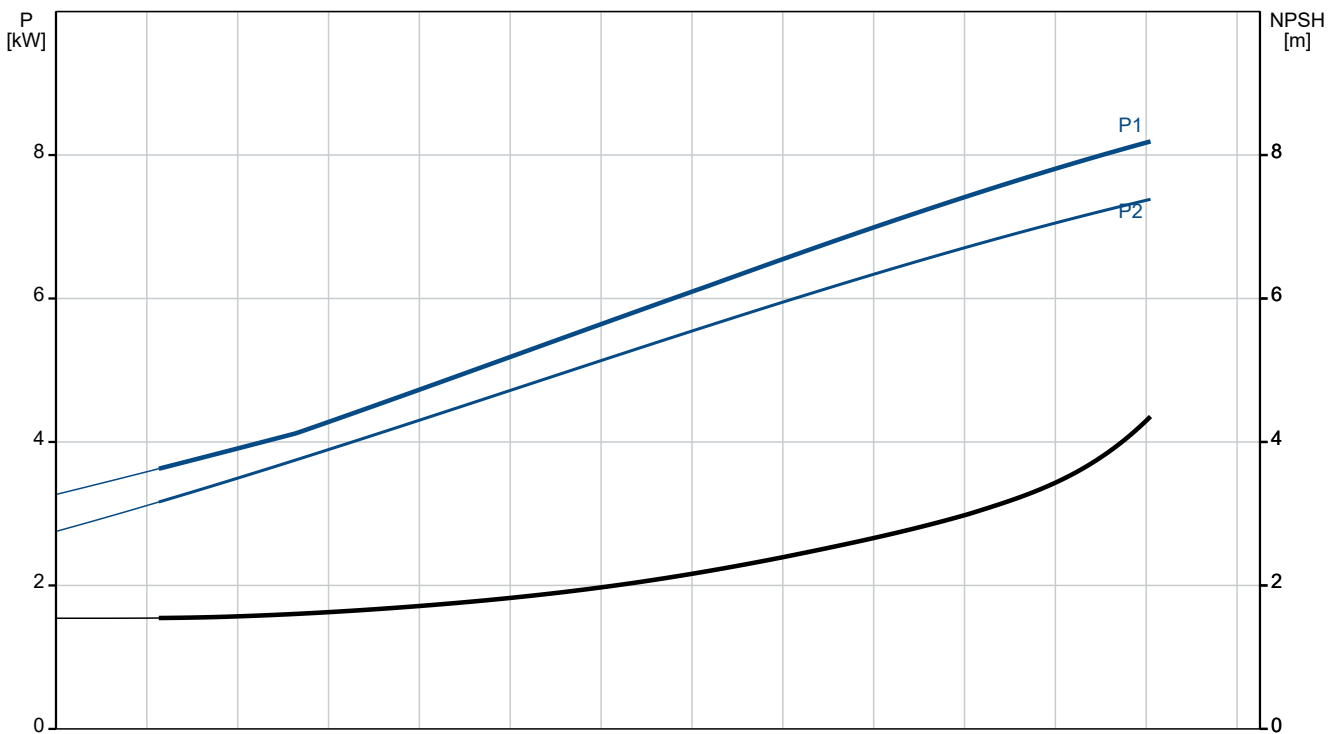


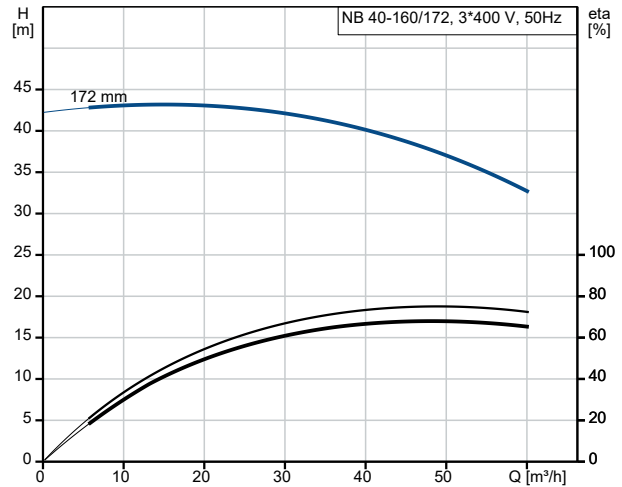
98305453 NB 40-160/172 AAF2BESBAQEMW1 50 Hz



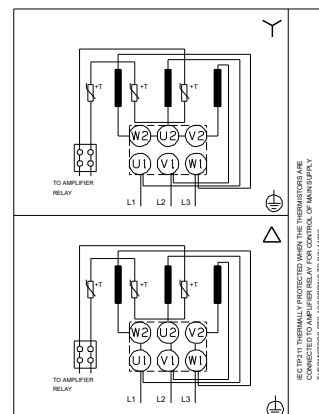
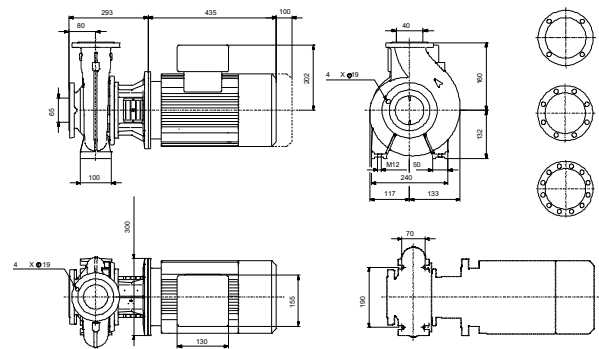
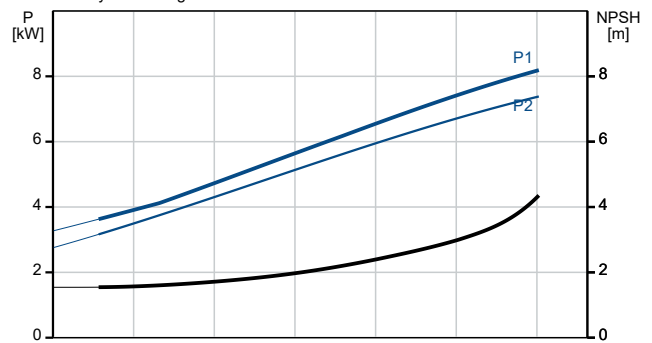
Pumped liquid = Water
 Liquid temperature during operation = 20 °C
 Density = 998.2 kg/m³



Description	Value
General information:	
Product name:	NB 40-160/172 AAF2BESBAQEMW1
Product No:	98305453
EAN number:	5711492781340
Technical:	
Pump speed on which pump data are based:	2950 rpm
Rated flow:	48.73 m ³ /h
Rated head:	37.36 m
Actual impeller diameter:	172 mm
Nominal impeller diameter:	160
Shaft seal arrangement:	Single
Shaft diameter:	24 mm
Code for shaft seal:	BAQE
Curve tolerance:	ISO9906:2012 3B2
Pump version:	A
Bearing design:	Standard
Materials:	
Pump housing:	Cast iron
Pump housing:	EN-GJL-250
Pump housing:	ASTM class 35
Wear ring:	Brass
Impeller:	Bronze
Impeller:	CuSn10-C
Internal pump house coating:	CED
Material code:	B
Code for rubber:	E
Shaft:	Stainless steel
Shaft:	EN 1.4301
Shaft:	AISI 304
Installation:	
Maximum ambient temperature:	55 °C
Maximum operating pressure:	16 bar
Pipe connection standard:	EN 1092-2
Size of inlet connection:	DN 65
Size of outlet connection:	DN 40
Pressure rating for connection:	PN 16
Bearing lubrication:	Grease
Pump housing with feet:	Yes
Support block (Yes/No):	N
Connect code:	F2
Liquid:	
Pumped liquid:	Water
Liquid temperature range:	0 .. 120 °C
Selected liquid temperature:	20 °C
Density:	998.2 kg/m ³
Electrical data:	
Motor type:	SIEMENS
Rated power - P2:	7.5 kW
Mains frequency:	50 Hz
Rated voltage:	3 x 380-420D/660-725Y V
Rated current:	13.1/7.6 A
Starting current:	830 %
Cos phi - power factor:	0.92
Rated speed:	2950 rpm
IE efficiency:	IE3 90,1%
IE Efficiency class:	IE3



Pumped liquid = Water
Liquid temperature during operation = 20 °C
Density = 998.2 kg/m³





Company name:

Created by:

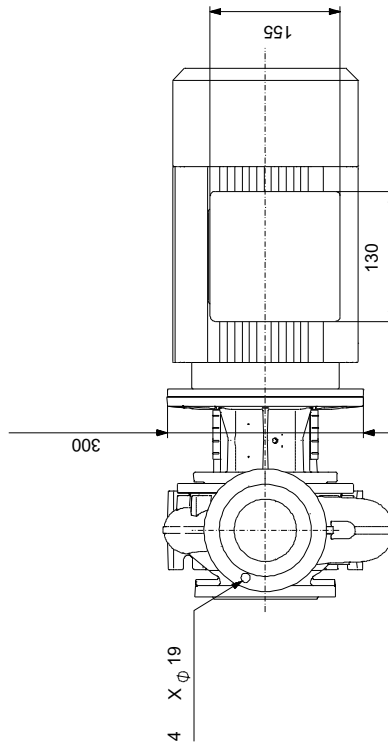
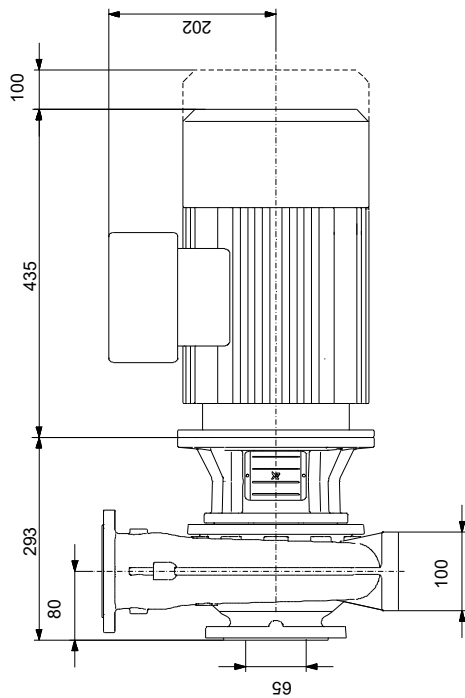
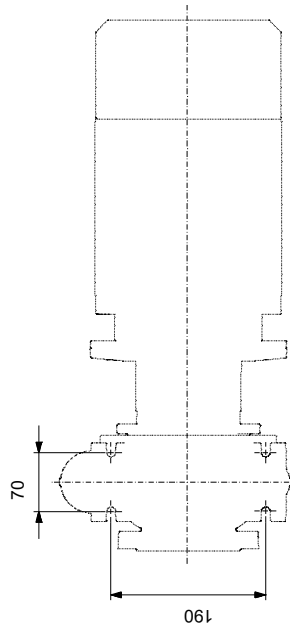
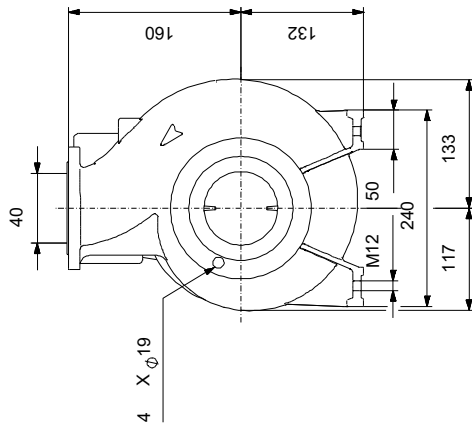
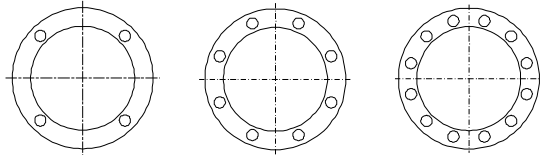
Phone:

Date:

18/07/2024

Description	Value
Motor efficiency at full load:	90.1 %
Motor efficiency at 3/4 load:	91.0 %
Motor efficiency at 1/2 load:	91.0 %
Number of poles:	2
Enclosure class (IEC 34-5):	IP55
Insulation class (IEC 85):	F
Built-in motor protection:	PTC
Motor No:	83U15222
Mount. design. acc. IEC 34-7:	IM V1/B5
Bearing insulation type N-end:	Steel Bearing
Controls:	
Frequency converter:	None
Pressure sensor:	N
Others:	
Minimum efficiency index, MEI \geq :	0.70
Net weight:	98 kg
Gross weight:	120 kg
Shipping volume:	0.509 m ³
Language on pump nameplate:	GB

98305453 NB 40-160/172 AAF2BESBAQEMW1 50 Hz



Note! All units are in [mm] unless others are stated.
Disclaimer: This simplified dimensional drawing does not show all details.