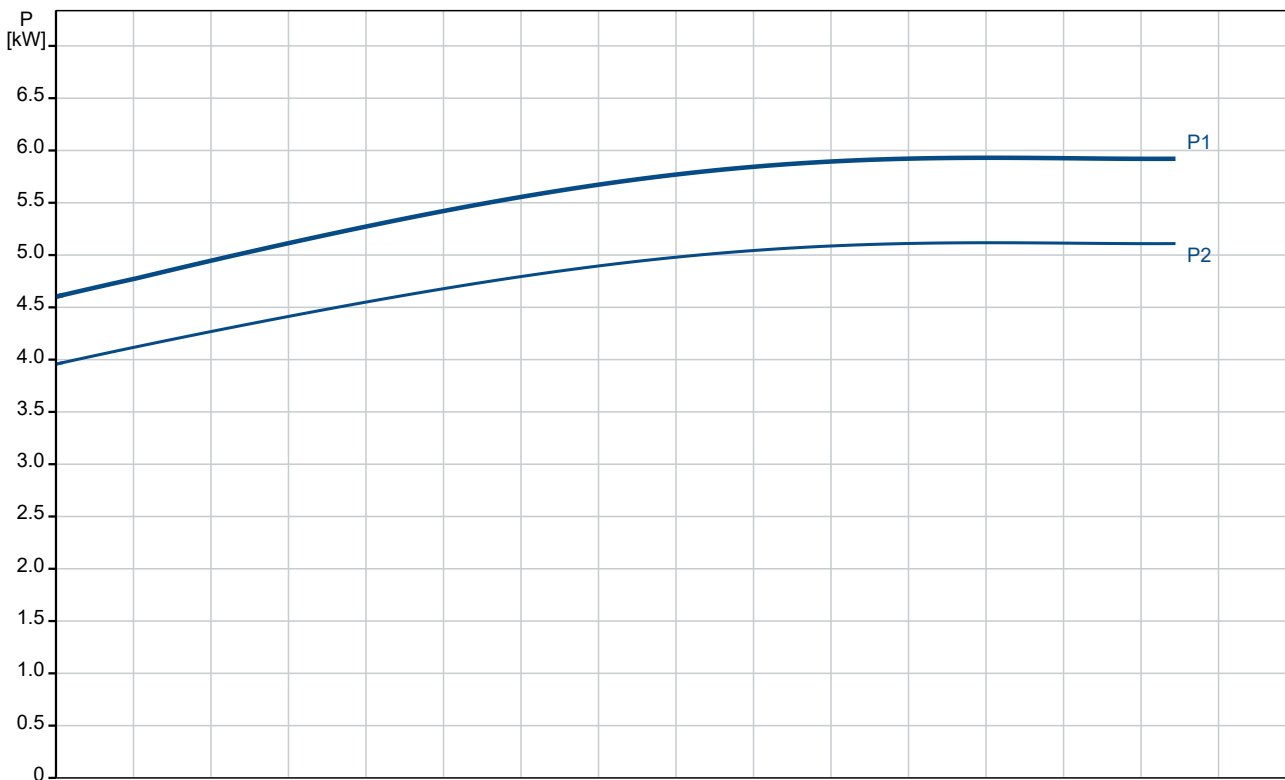
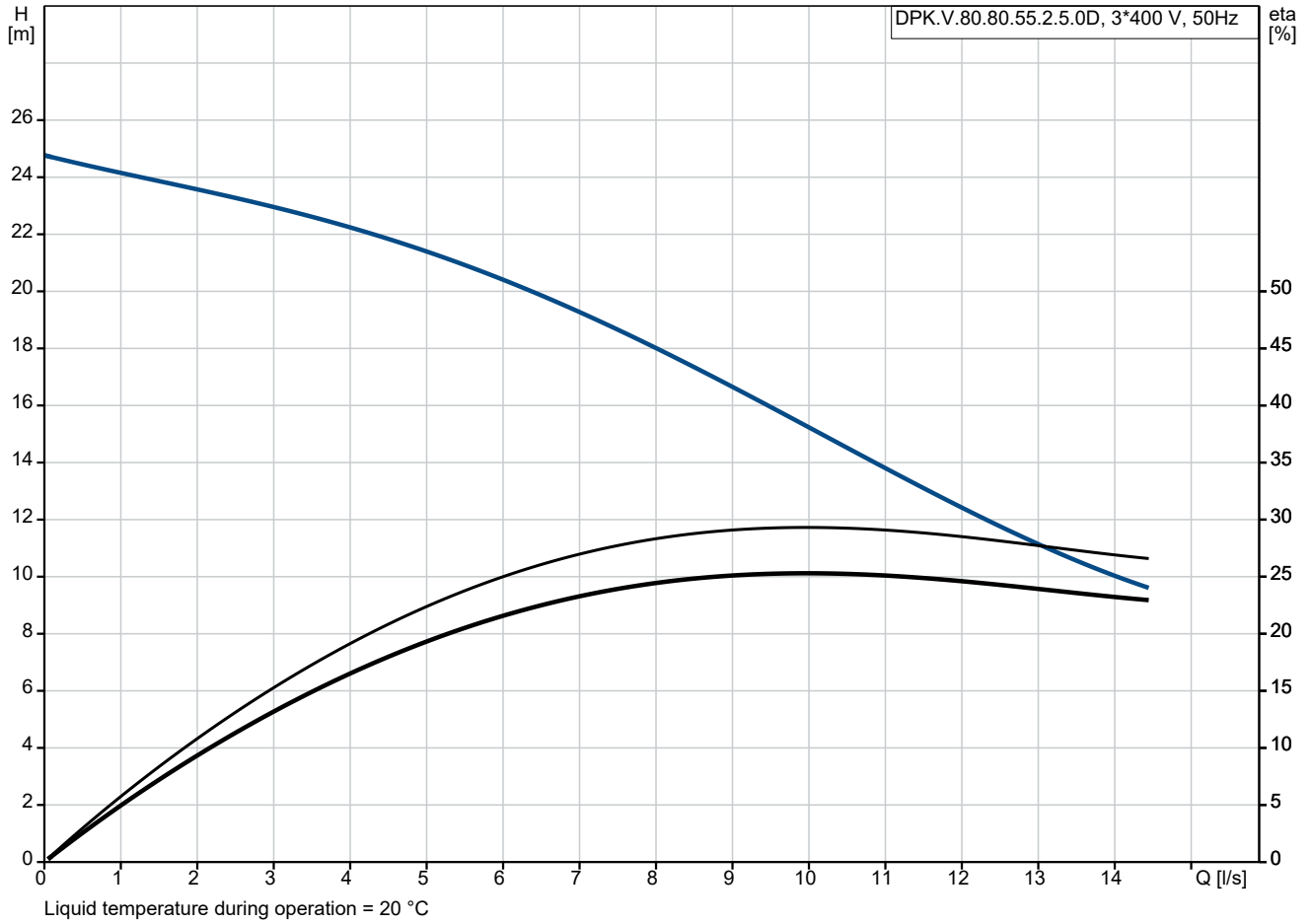
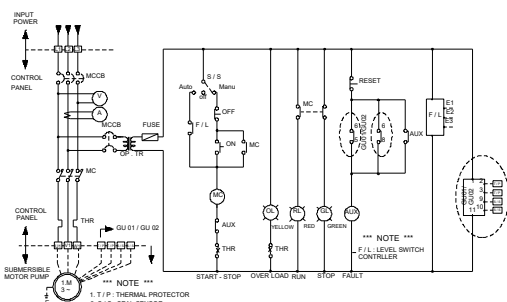
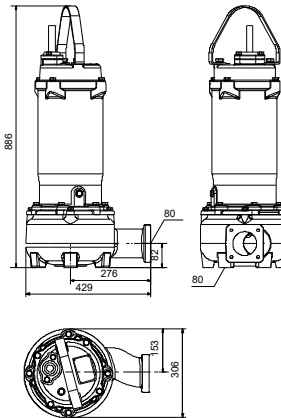
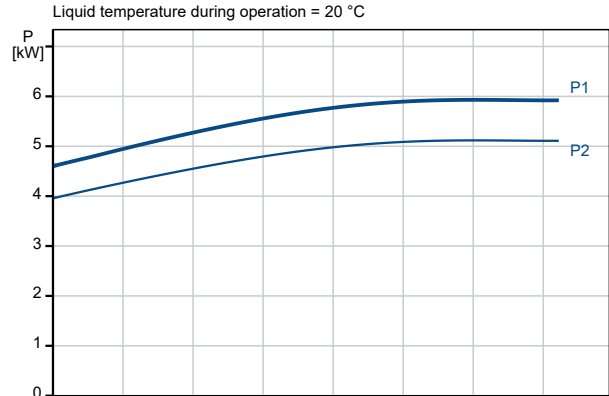
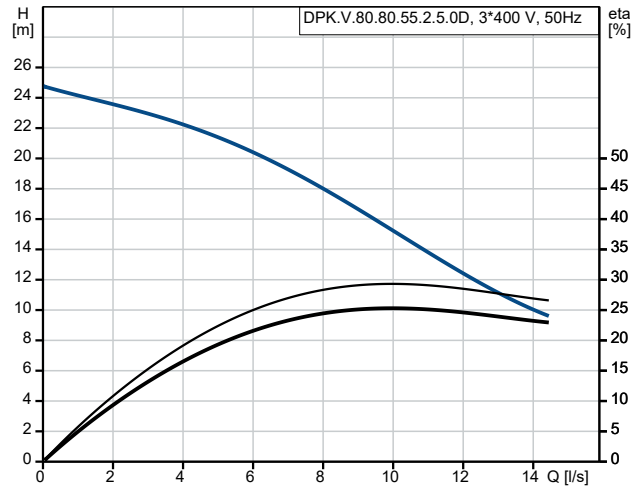


98803751 DPK.V.80.80.55.2.5.0D 50 Hz



Description	Value
General information:	
Product name:	DPK.V.80.80.55.2.5.0D
Product No:	98803751
EAN number:	5712601575508
Technical:	
Rated flow:	10 l/s
Maximum flow:	14.4 l/s
Rated head:	15.22 m
Head min:	9.6 m
Maximum head:	24.8 m
Actual impeller diameter:	173 mm
Code for impeller design:	V
Type of impeller:	SUPER VORTEX
Max. Particle:	80 mm
Max. hydraulic efficiency:	29 %
Curve tolerance:	ISO9906:2012 3B2
Materials:	
Pump housing:	Cast iron
Pump housing:	EN 1561 EN-GJL-200
Impeller:	Ductile cast iron
Impeller:	EN 1563 EN-GJS-450-10
Motor house:	Cast iron
Motor house:	EN 1561 EN-GJL-250
Motor house:	ASTM A48 35B
Shaft seal:	SIC
Secondary shaft seal:	CERAMIC-CARBON
Installation:	
Range of ambient temperature:	0 .. 40 °C
Maximum operating pressure:	5.7 bar
Type of outlet connection:	Square
Size of outlet connection:	DN 80
Pressure rating for outlet connection:	PN 10
Maximum installation depth:	20 m
Liquid:	
Liquid temperature range:	0 .. 40 °C
Selected liquid temperature:	20 °C
Density:	998.2 kg/m ³
Min. pH-value:	4
Electrical data:	
Power input P1:	6.373 kW
Rated power - P2:	5.5 kW
Mains frequency:	50 Hz
Rated voltage:	3 x 380-415 V
Voltage tolerance:	+5/-5 %
Max starts per hour:	30
Rated current:	10.3 A
Rated current at 3/4 load:	8.2 A
Rated current at 1/2 load:	6 A
Cos phi - power factor:	0.90
Cos phi - p.f. at 3/4 load:	0.86
Cos phi - p.f. at 1/2 load:	0.79
Rated speed:	2850 rpm
Efficiency at full load:	86.3 %
Efficiency at 3/4 load:	86.3 %
Efficiency at 1/2 load:	83.7 %
Number of poles:	2
Method of start:	DOL
Enclosure class (IEC 34-5):	IP68





Company name:

Created by:

Phone:

Date:

17/07/2024

Description	Value
Insulation class (IEC 85):	F
Explosion proof:	no
Built-in motor protection:	PTO
Power cable type:	PNCT
Length of power cable:	10 m
Cable description:	4X2.5MM2+4X1MM2
Controls:	
Water-in-oil sensor:	N
Seal sensor:	Y
Others:	
Net weight:	107 kg
Gross weight:	129 kg
Shipping volume:	381 m ³